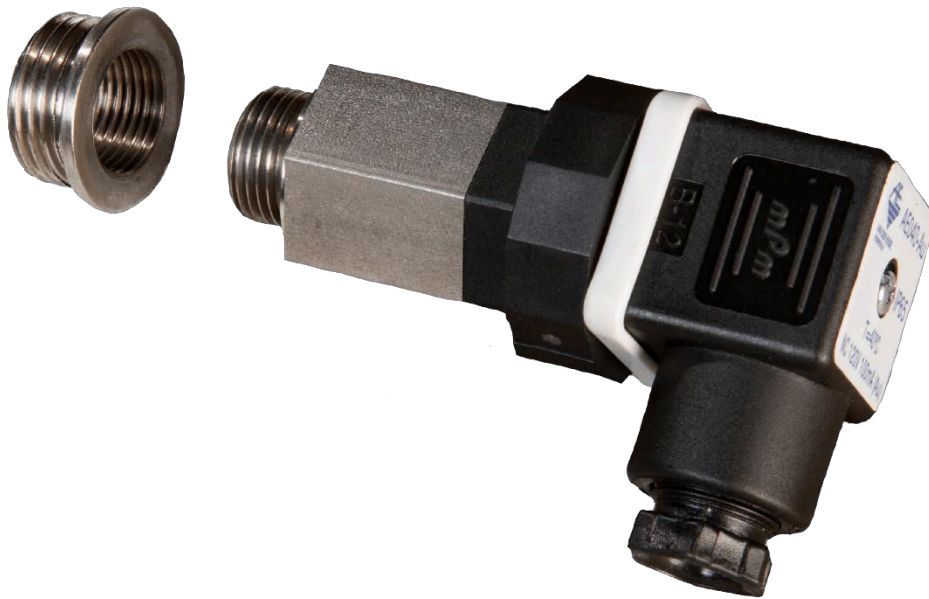


MANUAL

AE temperature switch

AE 040-Au / AE 060-Au



Bimetal Temperature Switch AE 40-Au and AE 60-Au

This temperature switch cuts off the contact when a temperature is achieved that exceeds 40 °C or 60 °C, depending on the model. The switch was developed specially for Van der Ende Group for installation in pump housing or in the pressure pipes of such appliances as water pumps. The various fields of application are presented in this uses manual.

If you have any questions concerning the application of this thermostat, please do not hesitate to contact our Sales Department for advice.

Assembly

This temperature switch may only be connected to the electricity supply by a qualified technician. The maximum voltage that applies to this temperature switch is 50 Volts.

Attention: The ground clip is **not** connected to the metal housing!

The temperature switch may only be connected using the connector cap supplied.

Installation

Please observe the applicable safety specifications when using this temperature switch in systems containing hazardous fertilisers, such as acids and bases, or combustible and toxic substances in pressurised systems. The possibility of these substances leaking or spraying into the air when installing this thermostat must be avoided at all times.

Electrical connection

The NC switch contact is gold-plated, which enables extremely low voltages and electrical currents to be controlled. Please note that exceeding the indicated capacity will damage this gold layer.

Connect the switch contact to 1 and 2; the ground clip is not connected to the metal housing.

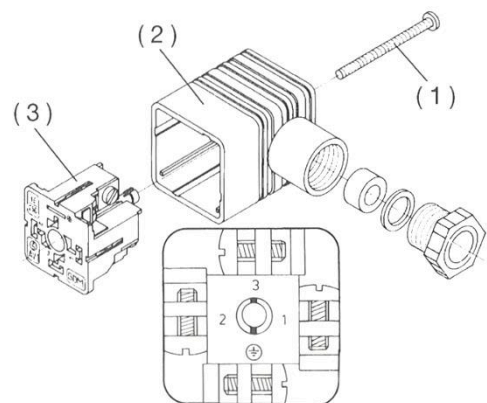
Specifications

Voltages	6 – 120 Vac, 48 – 63 Hz 6 – 30 Vdc
Power supply	5 – 100 mA
Cos φ	0.75
Switching delay	1 °C/min
Contact resistance	< 3 mΩ
Dielectric strength	1500 Vac/1min
Material	316 stainless steel

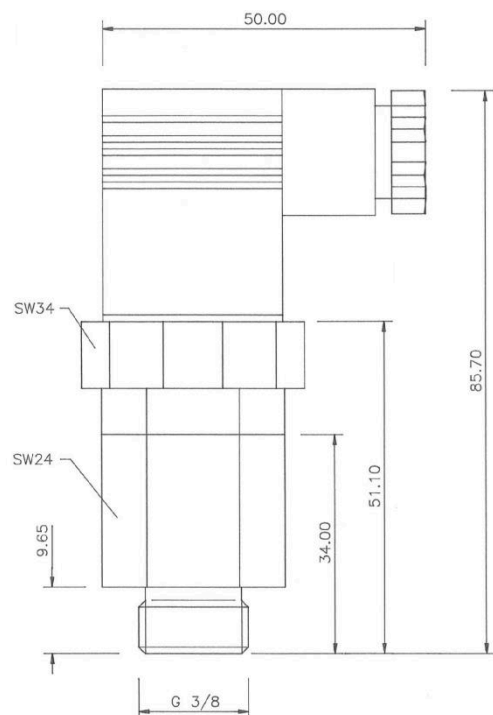
Assembly of the connector cap

The seal is IP 65 (EN 60 529)
Connector cap in conformity with DIN 43 650, design AF with a PG 9 cable gland.
Maximum core diameter: 1.5 mm²
Cable diameter: 6-8 mm.

To open the connector cap, unscrew the screw (1) and remove. The inside part (3) can be separated from the exterior part (2) using a small flat screwdriver. Pay attention to the number markings for connecting the switch contacts. The inside part can be rotated in 90-degree steps if necessary.



Dimensions



Optional:
Reducing ring 316 stainless steel
3/8" inside - 1/2" outside or 3/8" inside - 1/4" outside