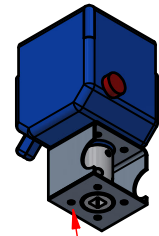
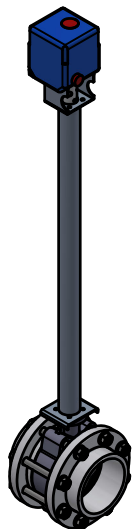
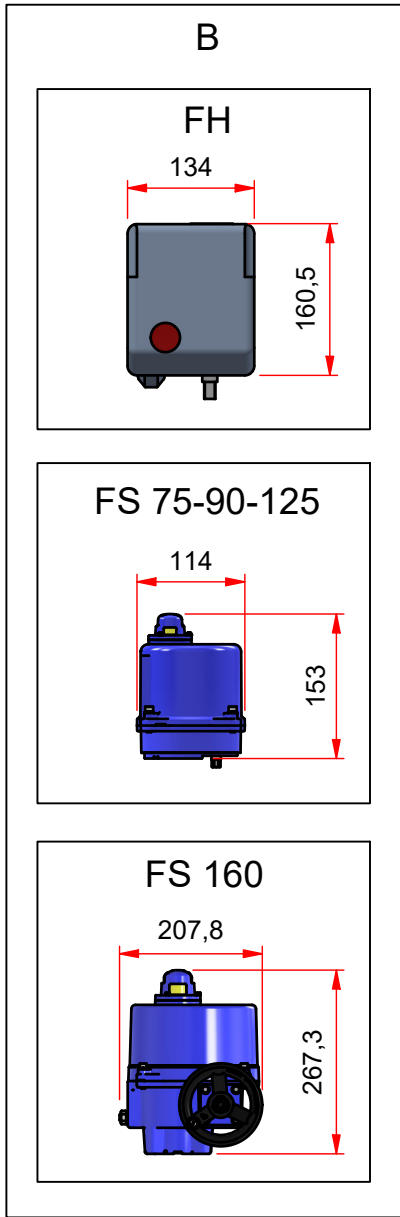
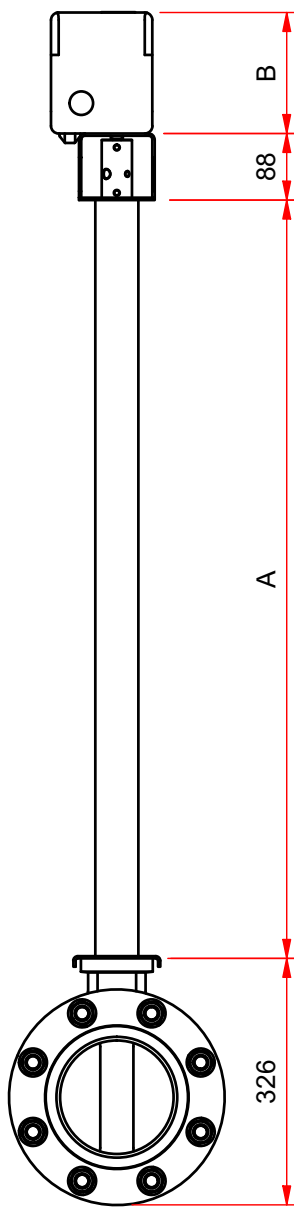
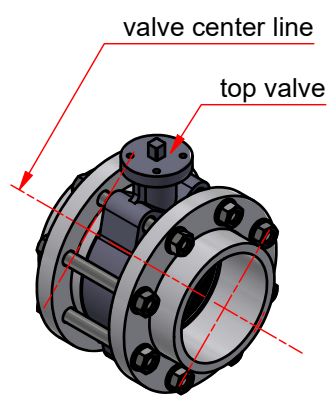


Fill in form extension set 55002480 VK11 75-160 FH / FS



Bottom motor plate



Dimensions in metric millimeters

Size A: Measured from top valve to bottom motor plate		mm <small>(1 inch = 25,4mm)</small>
---	--	--