

# Water Treatment



## TAURUS

### ELECTROMECHANICAL DOSING PUMPS



## Main characteristics

- Mechanical diaphragm metering pumps featuring a spring return mechanism, and with an aluminium housing.
- Each pump is equipped with manual flow adjustment and can be equipped with an electric actuator which accepts a 4÷20 mA or inverter.

## TM.2-4-6 diaphragm version

- STROKE 2-4-6 mm
- 5,5 ÷ 460 l/h max flow rate • 10 bar max pressure • 58-116 strokes/min fixed frequency • 65÷165 mm diaphragm diameters • 0,18/0,25/0,37 kW standard IP55 motors
- PP, PVC, SS 316, PVDF pump head

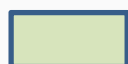
# Water Treatment



## Taurus – Performance data

PERFORMANCES TEST HAS BEEN DONE AT AMBIENT TEMPERATURE, WITH WATER, AT 1,5 mt SUCTION HEIGHT

MODEL	Ø DIAPHRAGM	STROKE L.	STROKES/MIN.	FLOW RATES	PRESSURE	CONNECTION	WEIGHTS SS316 - PVC/PP/PVDF	MOTOR
TM02064A	64 mm	2 mm	58	5,0 l/h	10 bar	1/4" g.f.	10,2 Kg – 8,5 Kg	THREE PHASE 0,18 kW SINGLE PHASE 0,25 Kw
TM02064B	64mm	2mm	78	8,0 l/h	10 bar	1/4" g.f.	10,2 kg – 8,5 kg	
TM02064C	64 mm	2 mm	116	11,0 l/h	10 bar	1/4" g.f.	10,2 Kg – 8,5 Kg	
TM02094A	94 mm	2 mm	58	20,0 l/h	10 bar	3/8" g.f.	10,7 Kg – 8,4 Kg	THREE PHASE 0,25 kW SINGLE PHASE 0,37 Kw
TM2094B	94 mm	2mm	78	26,0 l/h	10 bar	3/8" g.f.	10,7 Kg – 8,4 Kg	
TM02094C	94 mm	2 mm	116	40,0 l/h	10 bar	3/8" g.f.	10,7 Kg – 8,4 Kg	
TM04108A	108 mm	4 mm	58	60,0 l/h	10 bar	3/8" g.f.	13,3 Kg – 10,1 Kg	THREE PHASE 0,37 kW SINGLE PHASE 0,55 Kw
TM04108B	108 mm	4 mm	78	80,0 l/h	10 bar	3/8 " g.f.	13,3 kg- 10,1 kg	
TM04108C	108 mm	4 mm	116	120,0 l/h	10 bar	3/8" g.f.	13,3 Kg – 10,1 Kg	
TM06138A	138 mm	6 mm	58	155,0 l/h	7 bar	3/4" g.f.	18,4 Kg – 12,3 Kg	
TM06138B	138 mm	6 mm	78	220,0 l/h	7 bar	3/4" g.f.	18,4 kg – 12,3 kg	
TM06138C	138 mm	6 mm	116	310,0 l/h	7 bar	1 g.f.	18,4 Kg – 12,3 Kg	
TM06165A	165 mm	6 mm	58	230,0 l/h	5 bar	1 g.f.	22,0 Kg – 13,2 Kg	
TM06165B	165 mm	6 mm	78	330,0 l/h	5 bar	1" g.f.	22,0 kg - 13,2 kg	
TM06165C	165 mm	6 mm	116	500,0 l/h	3 bar	1 g.f.	22,0 Kg – 13,2 Kg	



High pressure (up to 16 bar) PVC pump head available

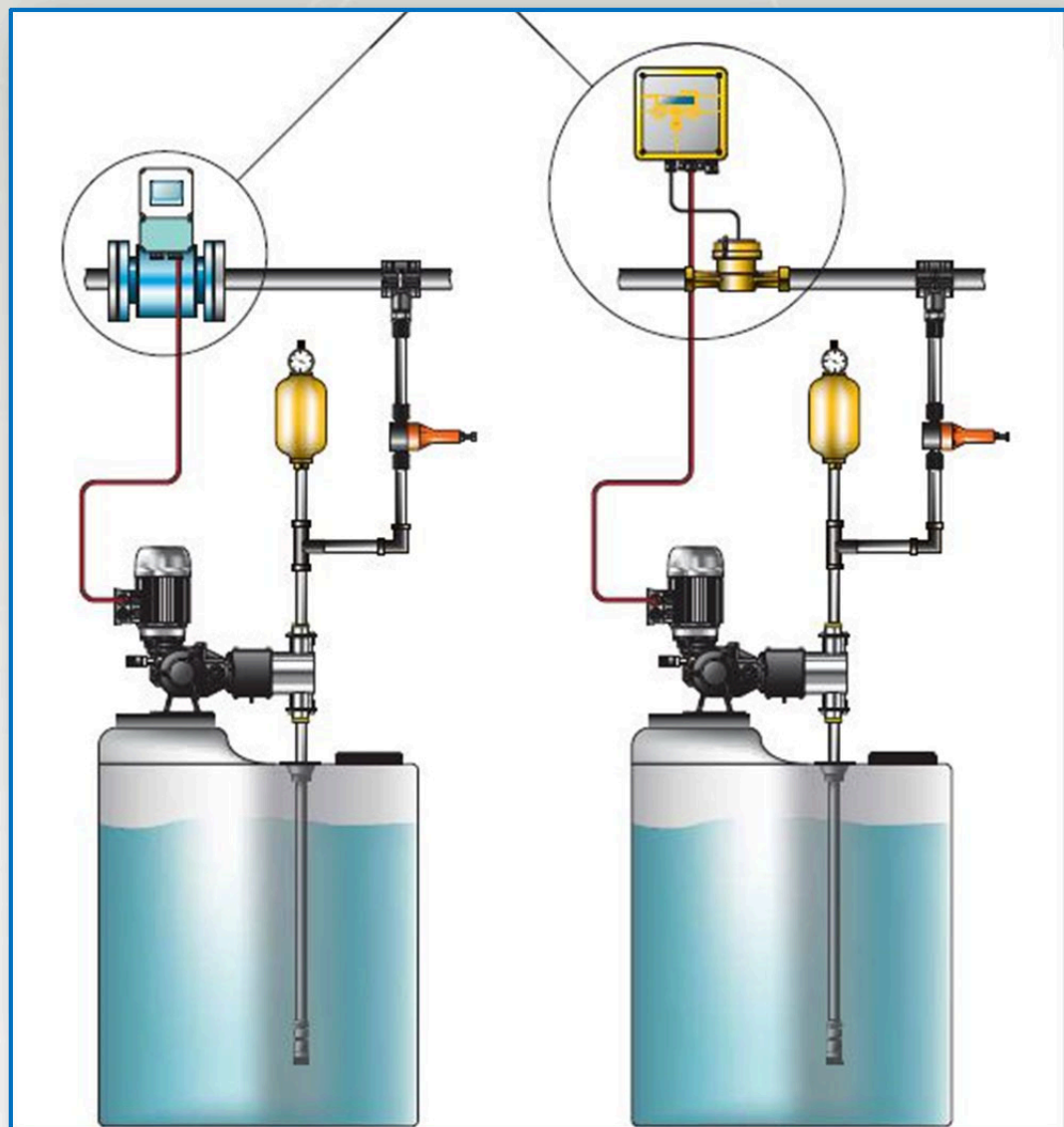


# Water Treatment

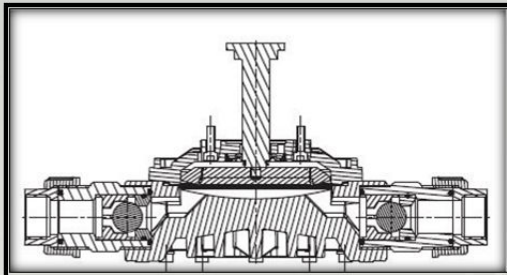


## Example of installation

Flow measure through electromagnetic flow rate or signal from pulse emitter water meter and proportional dosing with motor pump with inverter

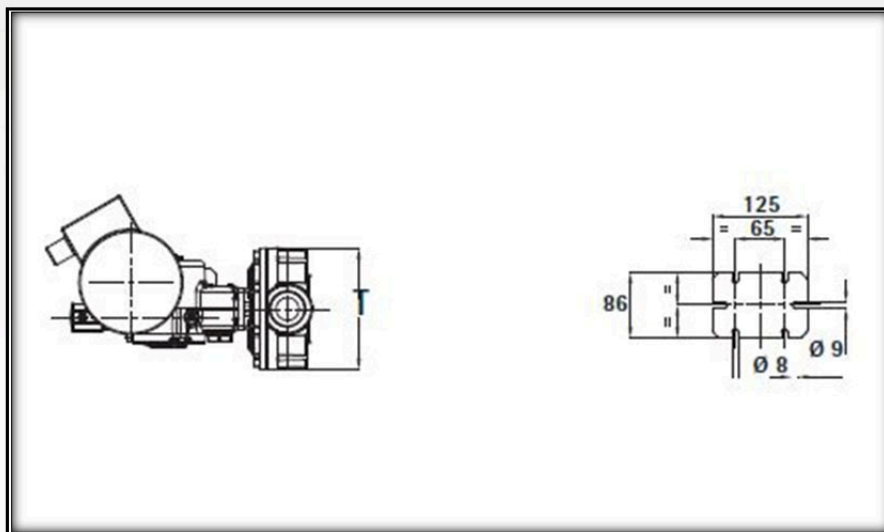
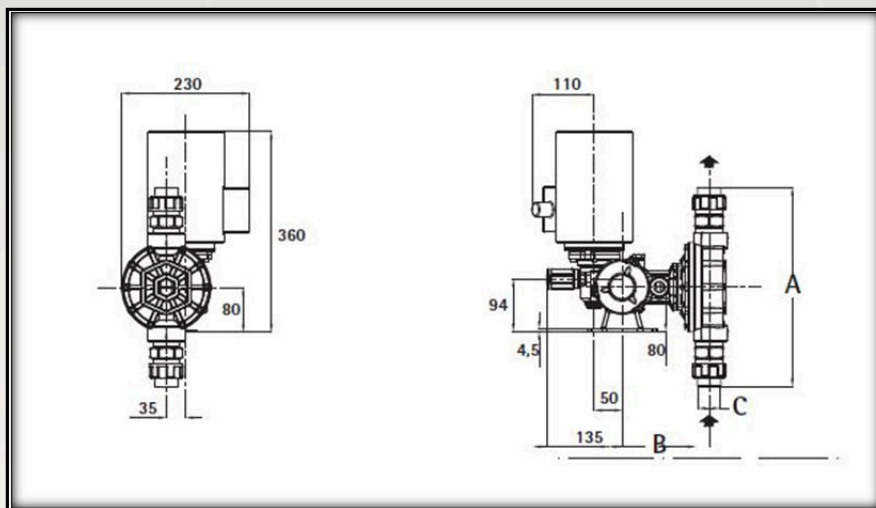


# Water Treatment



- SS316 , PP, PVDF or PVC pump head
- PTFE Diaphragm

## Dimensional drawings



# Water Treatment



Ø MEMBRANA Ø DIAPHRAGM	SS316				PVC/PP/PVDF			
	A	B	C	T	A	B	C	T
65 mm	208	149	1/4" g.f.	98	150	144	1/4" g.f.	98
94 mm	236	144	3/8" g.f.	117	172	146	3/8" g.f.	120
108 mm	248	144	3/8" g.f.	131	212	146	3/8" g.f.	140
138 mm	347	158	3/4" g.f. - 1" g.f.	160	258	157	3/8" g.f. - 1" g.f.	170
165 mm	377	160	1" g.f.	193	296 M	157	1" g.f.	190

