



## DL Series

*Submersible pumps for solid-laden wastewater.  
Made in cast iron and stainless steel, with mechanical seal and  
versions with single-channel impeller and Vortex impeller.*

### SPECIFICATIONS

**Delivery:** up to 42 m<sup>3</sup>/h

**Head:** up to 21 m

**Power supply:** three-phase and single-phase 50 and 60 Hz

**Power:** 0.6 kW to 1.5 kW

**Maximum immersion depth:** 5 m

**Temperature of pumped liquid:**  
0°C to +50°C (with pump totally immersed)

0°C to +25°C (with pump partially immersed)

**Liquids with suspended solids:**  
up to 45 mm (DL80-90-105 Minivortex-Vortex)

up to 50 mm (DL109-125, DLV100-115)

**Protection:** IP68

**Length of cable:** 5 m

### MATERIALS

**Pump body:** Cast iron

**Suction flange, feet, shaft extension, motor casing, impeller:** Stainless steel

**Elastomers:** NBR

**Mechanical seal:** Carbon/Ceramic/NBR

**Discharge elbow:** Cast iron

### APPLICATIONS

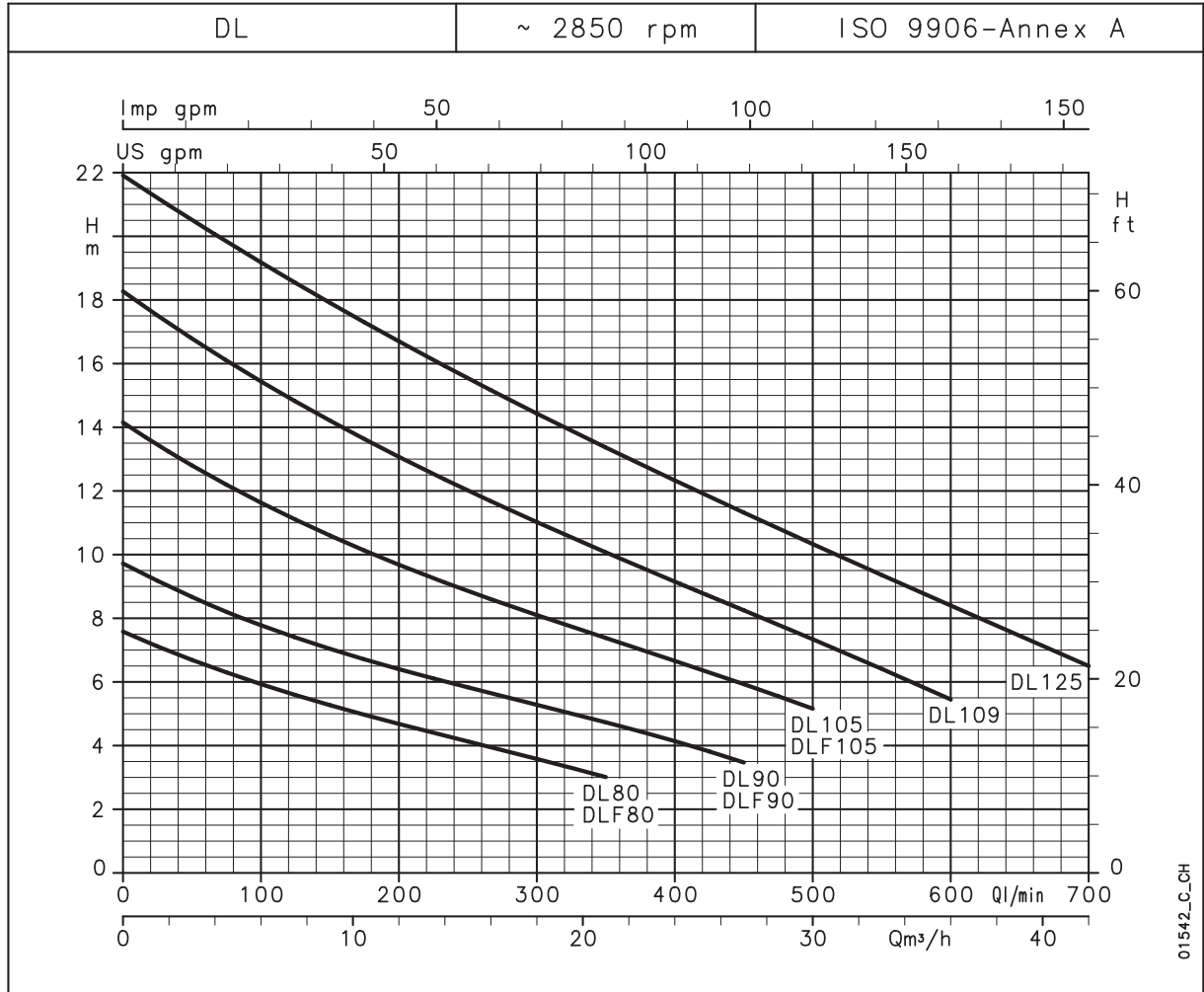
- Pumping of sewage with suspended solids and filaments
- Draining of septic tanks, sumps and wastewater discharge tanks
- Emptying of drains and tanks in industrial and ecological applications
- Emptying of tanks or reservoirs
- Emergency draining in flooded areas





## General Catalogue

### DL SERIES OPERATING CHARACTERISTICS AT 50 Hz, 2 POLES





## General Catalogue

### DL SERIES HYDRAULIC PERFORMANCE TABLE

PUMP TYPE	RATED POWER		Q = DELIVERY												
			l/min	0	100	150	200	250	300	350	400	450	500	600	700
	kw	HP	m <sup>3</sup> /h	0	6	9	12	15	18	21	24	27	30	36	42
H = TOTAL HEAD METRES COLUMN OF WATER															
DL(M) 80-DLF(M) 80	0,6	0,8	7,6	5,9	5,3	4,7	4,1	3,6	3,0						
DL(M) 90-DLF(M) 90	0,6	0,8	9,7	7,8	7,0	6,4	5,8	5,3	4,7	4,1	3,5				
DL 105 - DLF105	1,1	1,5	14,1	11,6	10,6	9,7	8,9	8,1	7,4	6,7	5,9	5,2			
DL(M) 109	1,1	1,5	18,3	15,4	14,2	13,1	12,0	11,0	10,1	9,2	8,2	7,3	5,4		
DL 125	1,5	2	21,9	19,2	17,9	16,7	15,5	14,4	13,4	12,3	11,3	10,3	8,4	6,5	

These performances are valid for liquids with density  $\rho = 1,0 \text{ kg/dm}^3$  and kinematic viscosity  $\nu = 1 \text{ mm}^2/\text{s}$ .

dl-2p50-en\_b\_th

3

### ELECTRICAL DATA

PUMP TYPE	ABSORBED POWER*	ABSORBED CURRENT*	CAPACITOR
SINGLE-PHASE	kw	220-240 V A	$\mu\text{F} / 450 \text{ V}$
DLM80-DLFM80	0,79	3,91	25
DLM90-DLFM90	0,89	4,27	25
-	-	-	-
DLM109	1,55	6,87	35
-	-	-	-

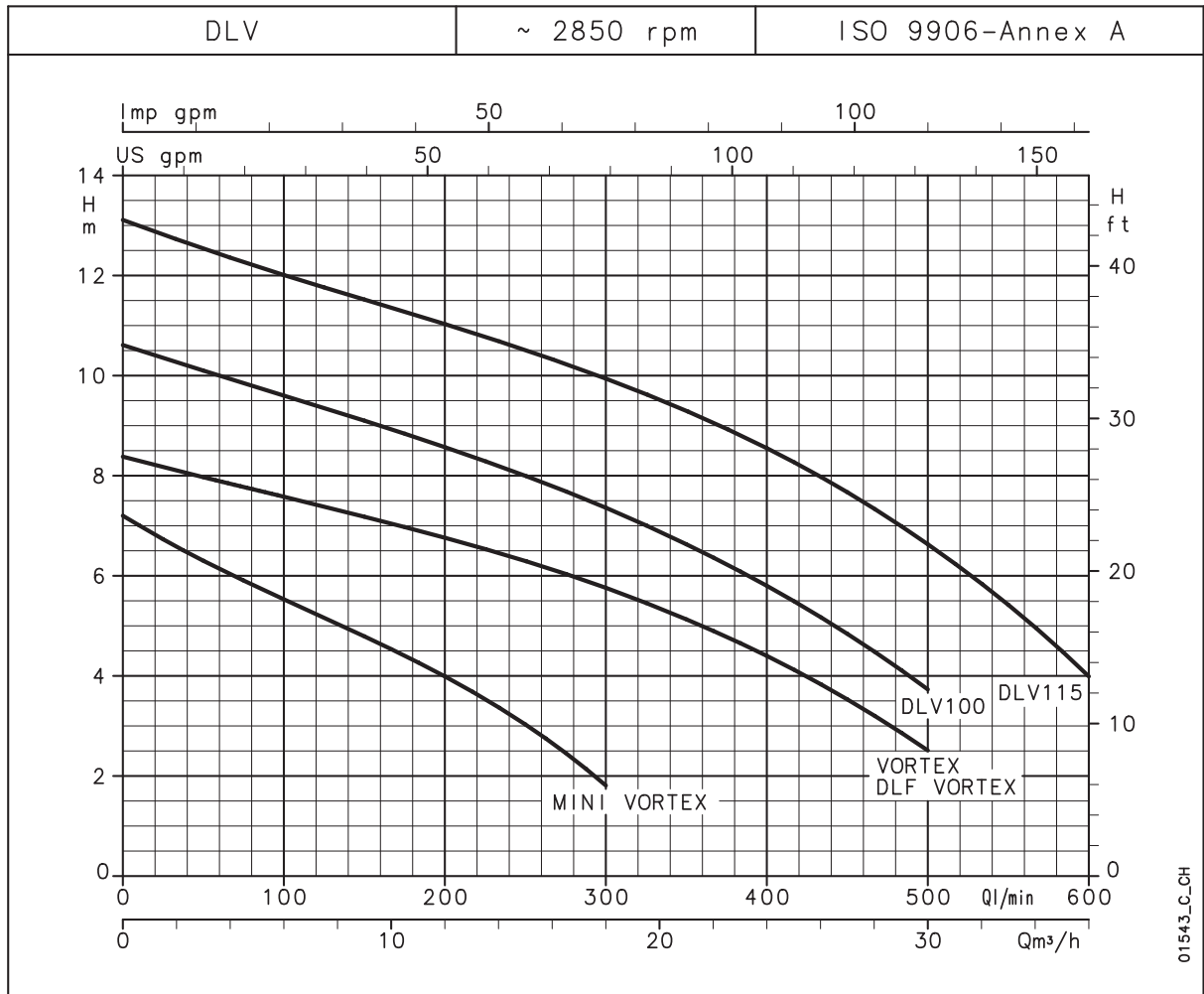
\*Maximum values within operating range.

PUMP TYPE	ABSORBED POWER*	ABSORBED CURRENT*	ABSORBED CURRENT*
THREE-PHASE	kw	220-240 V A	380-415 V A
DL80-DLF80	0,8	-	2,09
DL90-DLF90	0,92	3,81	2,2
DL105-DLF105	1,43	4,66	2,69
DL109	1,54	5,44	3,14
DL125	2,14	6,58	3,8

dl-2p50-en\_b\_te



### DLV SERIES OPERATING CHARACTERISTICS AT 50 Hz, 2 POLES





## General Catalogue

### DLV SERIES HYDRAULIC PERFORMANCE TABLE

PUMP TYPE	RATED POWER		Q = DELIVERY												
			l/min	0	50	100	150	200	250	300	350	400	450	500	600
	kw	HP	m <sup>3</sup> /h	0	3	6	9	12	15	18	21	24	27	30	36
	H = TOTAL HEAD METRES COLUMN OF WATER														
MINI VORTEX(M)	0,6	0,8	7,2	6,3	5,5	4,8	4,0	3,0	1,8						
VORTEX-DLF VORTEX	1,1	1,5	8,4	8,0	7,6	7,2	6,8	6,3	5,8	5,1	4,4	3,5	2,5		
DLV(M) 100	1,1	1,5	10,6	10,1	9,6	9,1	8,6	8,0	7,4	6,6	5,8	4,8	3,7		
DLV 115	1,5	2	13,1	12,5	12,0	11,5	11,0	10,5	9,9	9,3	8,5	7,7	6,6	4,0	

These performances are valid for liquids with density  $\rho = 1,0 \text{ kg/dm}^3$  and kinematic viscosity  $\nu = 1 \text{ mm}^2/\text{s}$ .

dlv-2p50-en\_b\_th



### ELECTRICAL DATA

PUMP TYPE	ABSORBED POWER*	ABSORBED CURRENT*	CAPACITOR
SINGLE-PHASE	kw	220-240 V A	$\mu\text{F} / 450 \text{ V}$
MINI VORTEX M	1,05	4,82	25
-	-	-	-
DLVM100	1,64	7,30	35
-	-	-	-

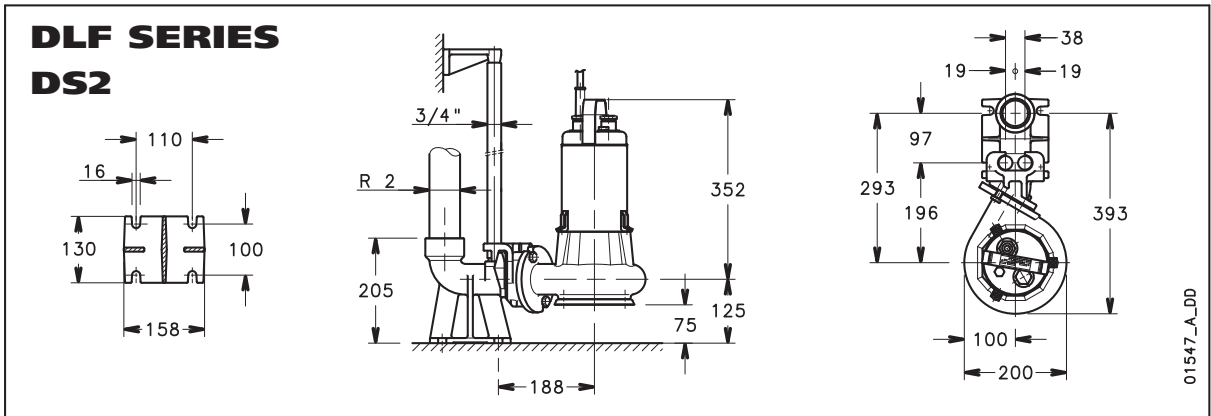
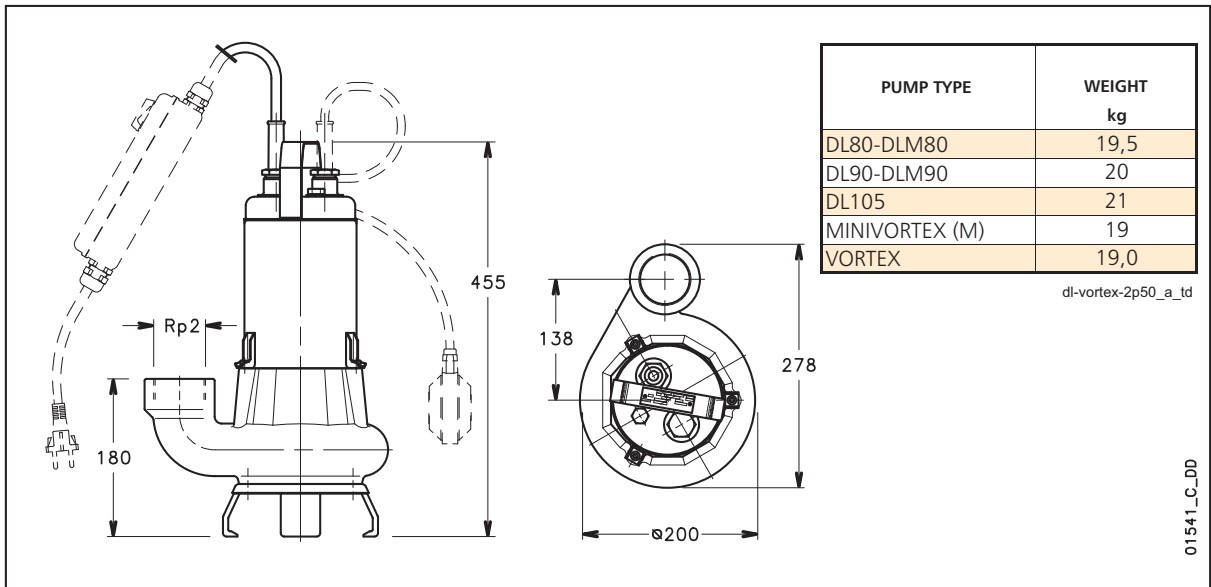
PUMP TYPE	ABSORBED POWER*	ABSORBED CURRENT*	ABSORBED CURRENT*
THREE-PHASE	kw	220-240 V A	380-415 V A
MINI VORTEX	1,10	-	2,36
VORTEX-DLF VORTEX	1,66	5,11	2,95
DLV 100	1,65	5,63	3,25
DLV 115	2,25	6,81	3,93

\*Maximum values within operating range.

dlv-2p50-en\_b\_te

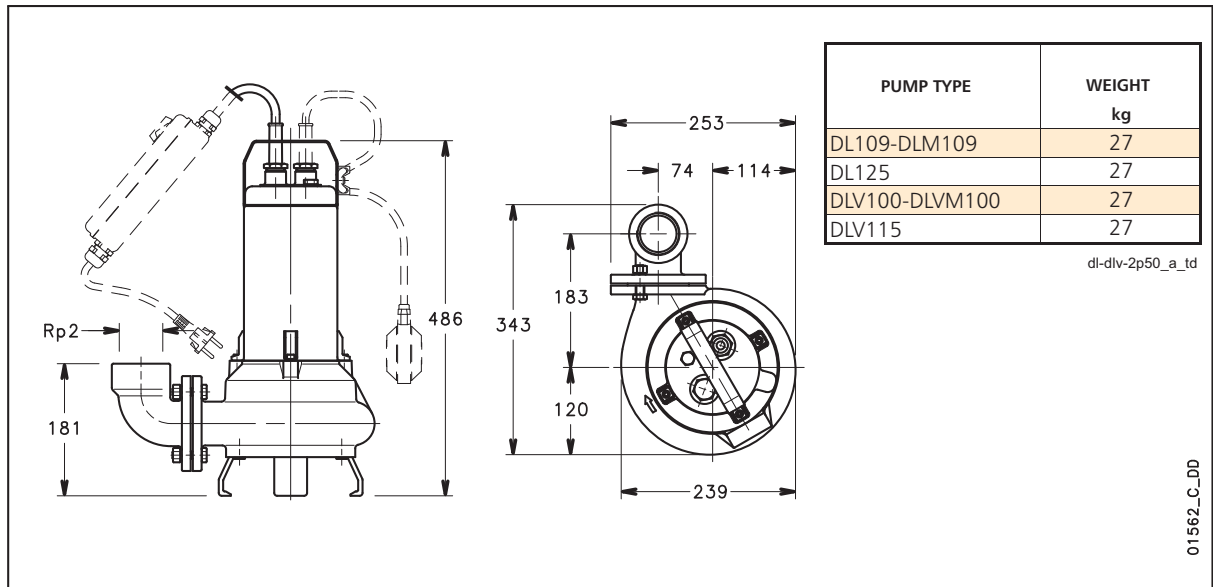


### DL - VORTEX SERIES DIMENSIONS AND WEIGHTS





### DL - VORTEX SERIES DIMENSIONS AND WEIGHTS



3

