

# ENVALVE SERIE KK 2- AND 3-WAY 20 T/M 63 MM



Motor operated 2-way and 3-way ball valves



[Motorized / pneumatic control valves](#) [Fittings](#)

## Description

Envalve ball valves are designed to be used to isolate flow. As they are electrically powered, they can be controlled by remote. The ball valves are made from PVC and have been provided with an EPDM gasket to enable them to withstand contact with corrosive substances. 3-Way union ball valves have 3 ports and the possibility for L or T drilling holes. The valves are also available with an EPDM or a Viton® FPM O-ring.

## Advantages

- o Ample throughput capacity
- o Low loss in pressure
- o Multi-directional flow
- o Little installation space needed
- o Few parts
- o Emergency manual operation available

As they are electrically powered, the valves can be controlled by remote. The spindle is connected to an electric motor for convenient operation of the valve. This motor has a supply voltage of 24VAC. Motors with a supply

voltage of 230 V are available on request. The motor can rotate bidirectionally and is controlled by the phase of the supply voltage. Alternating the phase causes the ball to open or close, respectively. The final position of the ball valve is limited by two built-in limit switches. The motors are bi-stable, which means that if the motor is rotating to a specific position and the power supply is cut off, the motor will remain in this position. An indicator in the motor shows the position of the ball valve (large or small flow-through). The motor is equipped with an adjustment screw that enables the ball valve to be moved to a specific position manually. The ball valves are provided with union nuts and collars. The collars are equipped with O-rings. Ball valves are not intended to be used as regulatory valves. Extra limit switches and a heating element are incorporated into the drive mechanism as a standard.

## Model specifications

- o 2W: 2-way ball valve - 1 motor
- o 3W: 3-way ball valve - 1 motor

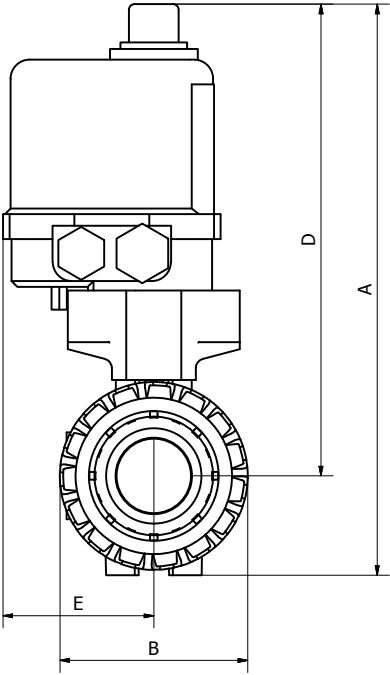
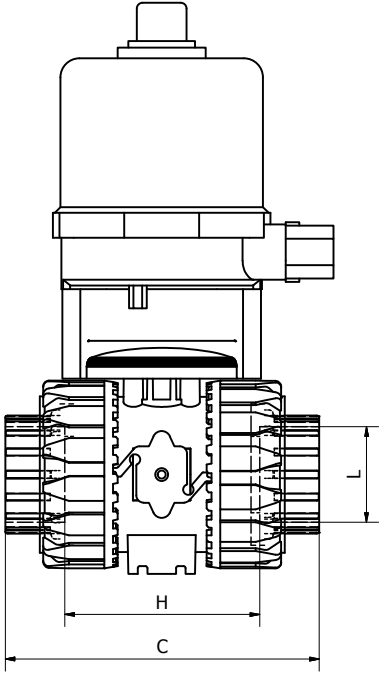
The valves have a run time of 70 or 15 seconds at a rotation angle of 90°.

# ENVALVE SERIE KK 2- AND 3-WAY 20 T/M 63 MM

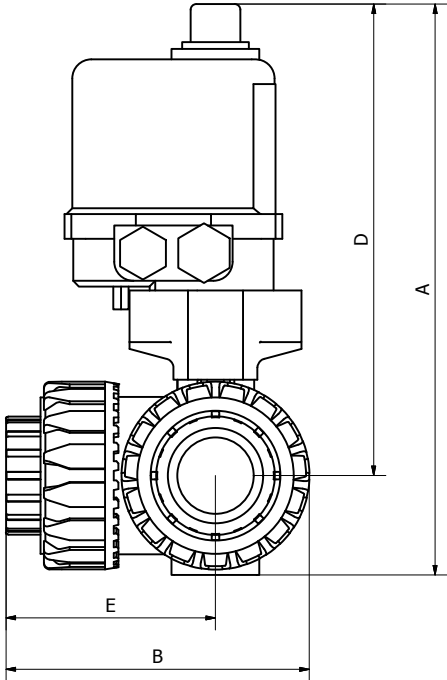
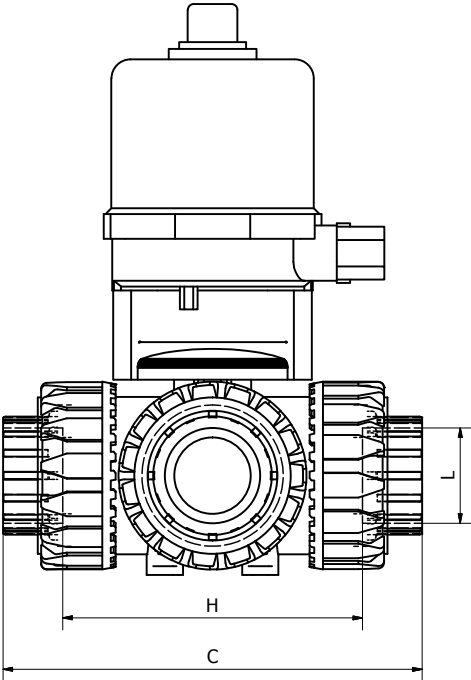


## Dimensions KK 20 - 63 - 2W/3W

KK 20 - 63 - 2W



KK 20 - 63 - 3W



# ENVALVE SERIE KK 2- AND 3-WAY

## 20 T/M 63 MM



### Dimensions ball valves 20 - 63 FS

20 - 63 2-WAY and 3-WAY (mm)							
VALVE TYPE (L)	DN	A	B	C	D	E	H
20-2W	15	236	54	103	207	79	71
25-2W	20	254	65	115	220	79	77
32-2W	25	263	73	128	224	79	84
40-2W	32	287	86	143	241	79	91
50-2W	40	299	98	164	247	79	102
63-2W	50	326	121	200	264	79	123
20-3W	15	236	86	118	207	59	86
25-3W	20	254	105	145	220	72	107
32-3W	25	263	117	160	224	80	116
40-3W	32	287	137	188	241	94	137
50-3W	40	299	159	219	247	110	157
63-3W	50	326	194	267	264	133	190

### Technical specifications admustment motors

OTOR TYPE	AE-1
VOLTAGE	24VAC/DC (option: 230VAC)
FREQUENCY	50/60 Hz
POWER	10W
TORQUE	35 Nm
RUN TIME	15 sec
PROTECTION CLASS	IP68 (7m - 72 hr)
AMBIENT TEMPERATURE	0. + 50 °C
OPERATING CONDITION	100% ED
ASSEMBLY POSITION	SEE USER MANUAL

### Hydraulic and dimensional data

TYPE	GLUE (mm)	DN	Kv VALUE (m <sup>3</sup> /hour)	WEIGHT (in kg)
KK20-2W	20	15	10	< 3,0
KK25-2W	25	20	14	< 3,0
KK32-2W	32	25	15	< 3,0
KK40-2W	40	32	35	< 3,0
KK50-2W	50	40	56	< 3,0
KK63-2W	63	50	100	< 3,0
KK20-3W	20	15	10	< 3,0
KK25-3W	25	20	14	< 3,0
KK32-3W	32	25	15	< 3,0
KK40-3W	40	32	35	< 3,0
KK50-3W	50	40	56	< 3,0
KK63-3W	63	50	100	< 3,0

### Technical specifications valve

VALVE DN 20 - 63	
PLASTIC 2-WAY and 3-WAY UNION NUTS & COLLARS	
HOUSING + BALL	PVC
BALL SEAT	PTFE
O-RING SEAL	EPDM
MAX. PRESSURE	10 BAR AT 20 °C
MAX. AMBIENT TEMPERATURE	60 °C