

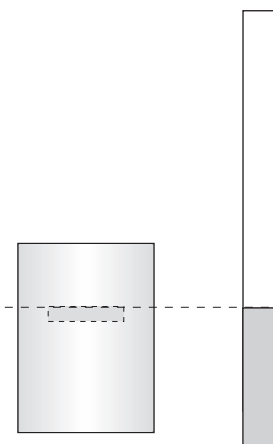
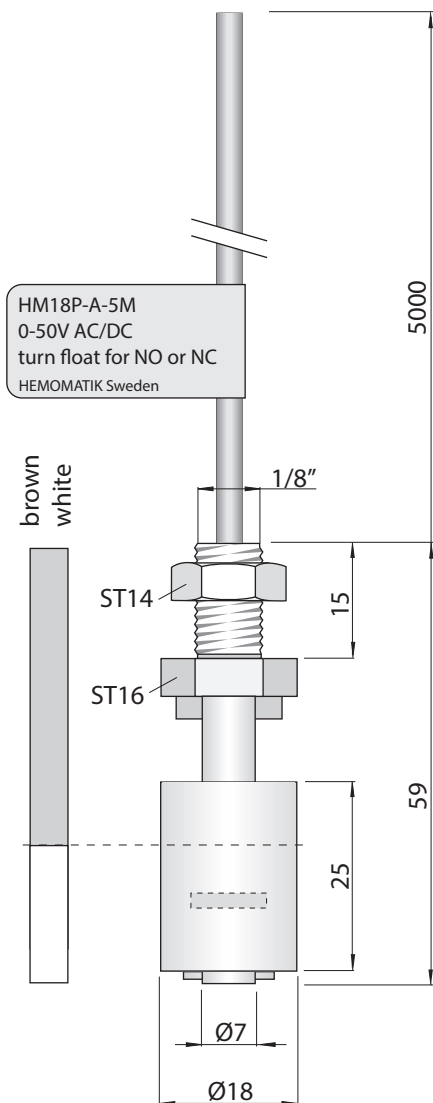
HEMOMATIK SWEDEN	Scale 1:1	Liquid level switch	Art.no. HM18P-A-5M	
			Drawing no. HM18PA5M.PDF	Rev. 3
Approved E.S. 971106			Date 971103	Sign. MEM
			Rev.date 050131	Art.group HFNS



Länna, S-142 50 SKOGÅS

Ordertel 08-771 00 04 Växel 08-771 02 20
Orderfax 08-771 62 00 Teknisk 08-771 35 80

Email info@hemomatik.se
Internet www.hemomatik.se



Turn float for : NC going low



Delivery status : NO going low



Cable	PVC 2x0,34mm ²
Potting	Pur
Stem	P.P.
Float	P.P.
Nut	Pom (polyamid)
Contact rating*	40VA
max voltage	50 V
max current	0,5 A

*= resistiv load