



### Description

The Hydrovar® HVL is latest generation of Lowara intelligent frequency controllers specially developed for pump motors. They can be easily mounted on any standard IEC motor. Energy savings of up to 50% are possible with the Hydrovar® HVL. The control can be configured in a wide variety of different ways so that your system operates optimally and is properly protected.

### Applications

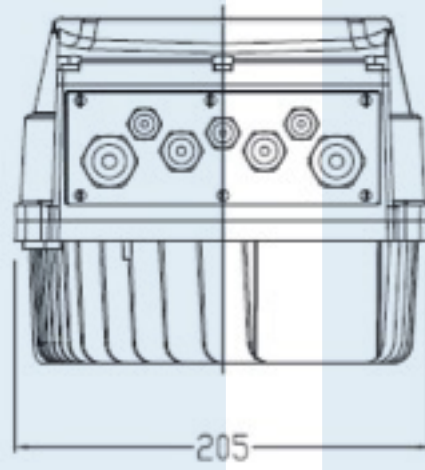
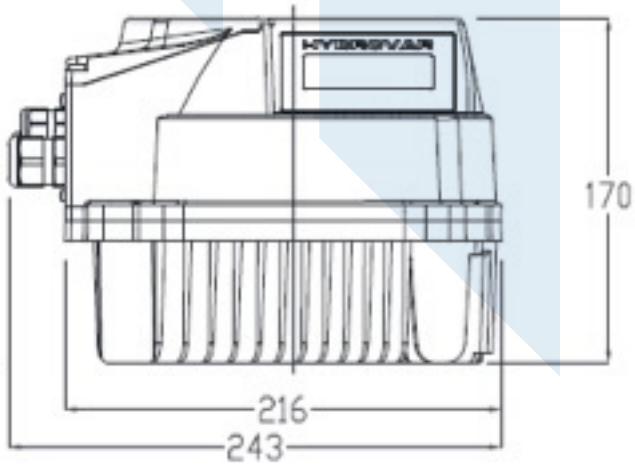
- o pressure regulation for drinking water systems for households, residential districts, apartments and industry
- o pumping liquids in systems where the pressure must be maintained and/or pressure differences can occur due to different pipe lengths
- o water treatment and process engineering for constant flow if the pressure varies

### Specifications

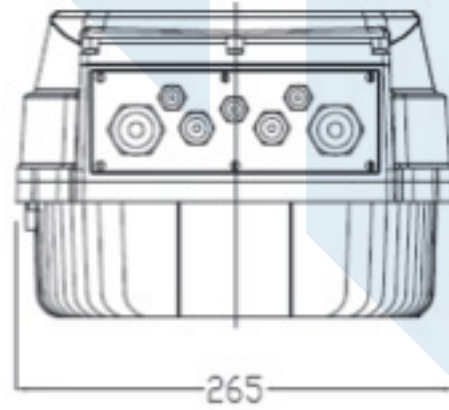
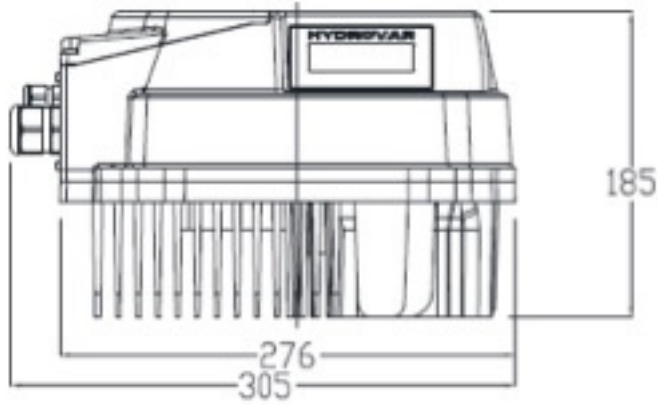
- o 1-phase models: Hydrovar® HVL2 series
  - power: up to 4 kW
  - supply voltage: 1 x 208-240 Volt
  - motor voltage: 3 x 0-240 Volt, 15-70 Hz

- o Hydrovar® HVL4 series
  - power: up to 22 kW
  - supply voltage: 3 x 380-460 Volt
  - motor voltage: 3 x 0-100% of the supply voltage, 15-70 Hz
- o ambient temperature: -10 °C to +55 °C
- o relative humidity: 5%-95% condensation not permitted
- o protection class: IP55
- o certificates: CE, IL, C-Tick, cUL
- o EMC directive: in accordance with EN 61800-3:2004 + A1:2012
- o in-built anti-condensation heating
- o designed to communicate with 7 other Hydrovar® HVLs, 8 in total
- o individual interface for computer communication through an RS485 port
- o equipped as standard with Modbus and BACnet protocols
- o display readout can be rotated 180° and menus in 28 languages
- o suitable for mounting on every standard IEC motor
- o quick and easy installation using the “Quick start-up” wizard
- o CE/ EAC/ C-Tick/ C-US certified

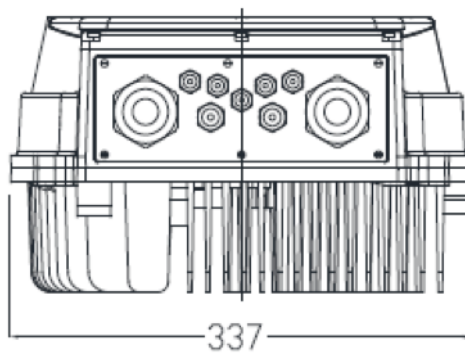
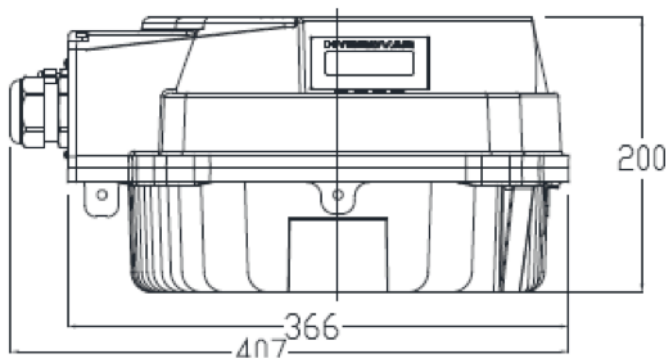
MODEL A



MODEL B



MODEL C



## TECHNICAL DATA HYDROVAR® HVL

HVL Type	Size	Nominal power (kW)	Nominal Supply Voltage (V)	Maximum Input Current (A)	Efficiency (%)	Weight (kg)
2.015	A	1.5	1~ 208-240 (± 10%*)	11.6	94	5.6
2.022	A	2.2	1~ 208-240 (± 10%*)	15.1	93.5	5.6
2.030	B	3	1~ 208-240 (± 10%*)	22.3	93.5	10.5
2.040	B	4	1~ 208-240 (± 10%*)	27.6	93.5	10.5
4.015	A	1.5	3~ 380-460 (± 15%*)	3.9	96	5.6
4.022	A	2.2	3~ 380-460 (± 15%*)	5.3	96.5	5.6
4.030	A	3	3~ 380-460 (± 15%*)	7.2	96.5	5.6
4.040	A	4	3~ 380-460 (± 15%*)	10.1	96.5	5.6
4.055	B	5.5	3~ 380-460 (± 15%*)	12.8	97	10.5
4.075	B	7.5	3~ 380-460 (± 15%*)	16.9	97	10.5
4.110	B	11	3~ 380-460 (± 15%*)	24.2	97	10.5
4.150	C	15	3~ 380-460 (± 15%*)	33.3	97	15.6
4.185	C	18.5	3~ 380-460 (± 15%*)	38.1	97	15.6
4.220	C	22	3~ 380-460 (± 15%*)	44.7	97	15.6

\* peak voltage

## TECHNICAL DATA HYDROVAR® HVL

HVL Type	Size	Output Voltage (V)	Maximum Output Current (A)	Output Frequency (Hz)	Supply Cable + PE Cable No. x Max. Copper Cross-Section	Motor Output Cable +PE Cable No. x Max. Copper Cross-Section
2.015	A	3~ 0-240	7.5	15-70	3 x 2 mm <sup>2</sup>	4 x 2 mm <sup>2</sup>
2.022	A	3~ 0-240	10	15-70	3 x 2 mm <sup>2</sup>	4 x 2 mm <sup>2</sup>
2.030	B	3~ 0-240	14.3	15-70	3 x 6 mm <sup>2</sup>	4 x 6 mm <sup>2</sup>
2.040	B	3~ 0-240	16.7	15-70	3 x 6 mm <sup>2</sup>	4 x 6 mm <sup>2</sup>
4.015	A	0 – 100%*	4.1	15-70	4 x 2 mm <sup>2</sup>	4 x 2 mm <sup>2</sup>
4.022	A	0 – 100%*	5.7	15-70	4 x 2 mm <sup>2</sup>	4 x 2 mm <sup>2</sup>
4.030	A	0 – 100%*	7.3	15-70	4 x 2 mm <sup>2</sup>	4 x 2 mm <sup>2</sup>
4.040	A	0 – 100%*	10	15-70	4 x 2 mm <sup>2</sup>	4 x 2 mm <sup>2</sup>
4.055	B	0 – 100%*	13.5	15-70	4 x 6 mm <sup>2</sup>	4 x 6 mm <sup>2</sup>
4.075	B	0 – 100%*	17	15-70	4 x 6 mm <sup>2</sup>	4 x 6 mm <sup>2</sup>
4.110	B	0 – 100%*	24	15-70	4 x 6 mm <sup>2</sup>	4 x 6 mm <sup>2</sup>
4.150	C	0 – 100%*	32	15-70	4 x 16 mm <sup>2</sup>	4 x 16 mm <sup>2</sup>
4.185	C	0 – 100%*	38	15-70	4 x 16 mm <sup>2</sup>	4 x 16 mm <sup>2</sup>
4.220	C	0 – 100%*	44	15-70	4 x 16 mm <sup>2</sup>	4 x 16 mm <sup>2</sup>

\* of the supply voltage



# VAN DER ENDE GROEP

For more information, see our website [www.vanderendegroep.nl](http://www.vanderendegroep.nl), contact our employees, call **Maasdijk +31 (0)174 51 50 50 / Oss +31 (0)412 63 13 78** or mail [sales@vanderendegroep.nl](mailto:sales@vanderendegroep.nl)